


IC-51 Investment Casting Stainless Steel (CF8) Horizontal Lift Check Valve No. 4, Screwed Ends,

PN-16 

Features

Pressure / Class Rating	PN-16
Body Material Cum Standard	Cast Stainless Steel (ASTM A351 Gr. CF8)
Product Description	Screwed in Cover
Type of Seat	Integral Seat
Type of Disc	Renewable Guided Disc
Trim	Stainless Steel (Type 304)
End Details	Screwed Female BSP Parallel Threads (BS-21)
Test Pressure	Body: 350 Psig (Hyd.), Seat: 255 Psig (Hyd.)
Application Medium	Food Processing

Notes

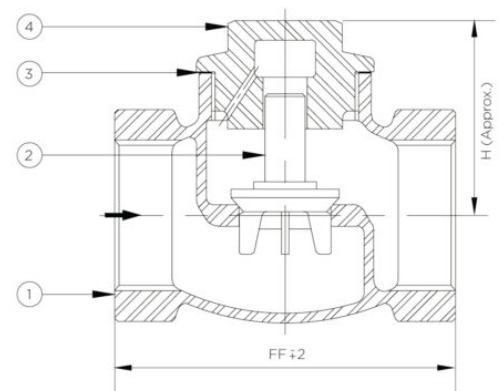
Also available in CF8M (SS 316)
Other screwed end specifications can be provided on request.

Suitability

Water, Steam, Oil

Material Combination

S.No	Description	No.	Material
1	Body	1	Cast Stainless Steel
2	Disc (Guided)	1	Stainless Steel
3	Gasket	1	PTFE
4	Cover	1	Cast Stainless Steel



Dimensional Data

Size (mm)	Size (inches)	FF	H
15	1/2"	49	37
20	3/4"	55	40
25	1"	67	45
32	1.1/4"	76	50
40	1.1/2"	82	55
50	2"	99	65